



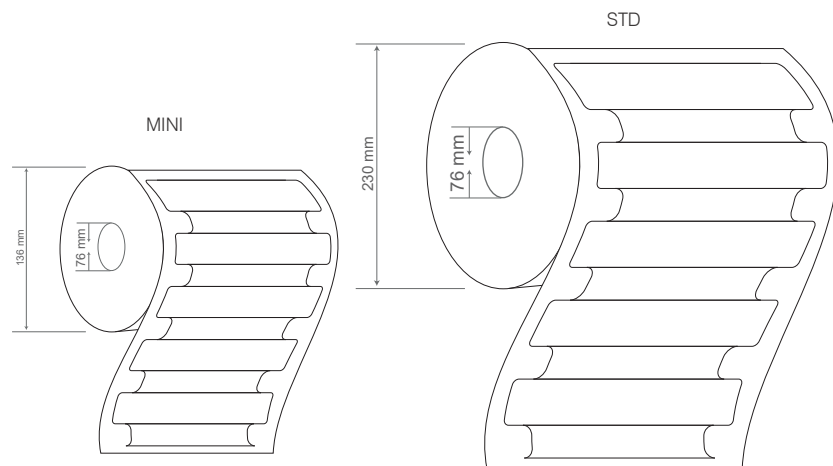
SIVA's Ferro-MOM 9817 is a passive RAIN (UHF) RFID label for Mount on Metal applications requiring a narrow printable tag product. This product is finished with a high performance permanent adhesive for use on and off metal surfaces. These labels feature a film face to print private logos, product information, or scannable barcodes directly on the label and its additional flexibility for curved surfaces makes it perfect for tracking a variety of transit items.

With balanced performance on metal, non-metal and liquid container, this product is ideal for tracking asset and tool tracking in medical devices for healthcare, laptops & servers in IT (information technology), industrial manufacturing, oil & gas pipelines, liquid container tracking, high value/luxury retail items and many other industry verticals.

TYPICAL APPLICATIONS

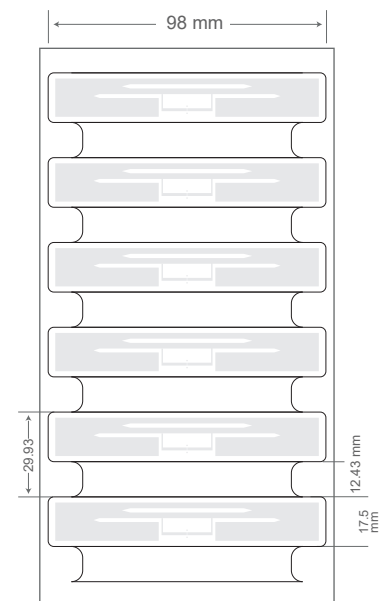
For metal surfaces, and other materials

- Indoor Asset Management: IT Assets, furniture's, home appliances and kitchen equipment
- Automotive: Components, spare parts and RTI's
- Healthcare: Hospital Assets & Equipment's
- Industrial: Metal assets, structural steel and RTI's
- Retail: RTI's



PHYSICAL SPECIFICATION

Face Stock	Printable white PET, resin ribbon is recommended	
Label Sizes	98 x 17.5 x 2.2 mm 3.86 x 0.69 x 0.09 in	
Adhesive	High performance acrylic adhesive	
Weight	1 g	
Delivery format	Roll form	
No. of Labels/ Reel	std: 500 pcs	mini: 125 pcs
Label Pitch	29.93 mm / 1.18 in	
Core inner diameter	76 mm / 3 in	
Roll Outer diameter	std: 230 mm / 9.05 in	mini: 136 mm / 5.35 in



RF SPECIFICATION

Mode of Operation	Passive
Device type	Class 1 Gen 2 Passive UHF RFID transponder
Air interface protocol	EPC Global Class 1 Gen 2 ISO 18000-6C
Operational frequency	ETSI : 865 - 869 MHz FCC : 902 - 928 MHz
IC type*	NXP UCODE 8
Memory configuration	EPC Size 128 bit, 96 bit TID with 48 bit Unique serial number
Write cycle endurance	100,000
Data Retention	Upto 20 years
Read range (2W ERP)**	ETSI : On Metal upto 4 m, On PTFE upto 8 m, On Glass upto 3 m FCC : On Metal upto 4.m, On PTFE upto 6 m, On Glass upto 2.5 m
Applicable surface materials	All surfaces

ENVIRONMENTAL RESISTANCE

Operating Temperature	-20°C to +70°C / -4°F to +158°F
Withstands Exposure To	95% humidity, 60°C × 100 h, 50% humidity, 80°C × 100 h
Peak Temperature	+100°C for 1 hr, +80°C for 100 hrs (Label remains securely attached with object. No physical or performance changes observed)
Adhesive Service Temperature	-20°C to +85°C / -4°F to +185°F
Recommended Application Temperature	+10°C to +38°C / 50°F to +100.4°F
Water Resistance	IP68, tested for 5 hours in 1.5m deep water
Chemical Resistance	No physical or performance changes in: - 168 h Salt water (salinity 10%) exposure - 168 h Motor oil exposure - 12 h NaOH (10%) exposure - 30 min Acetone exposure
Ideal Storage Condition	+23°C / 50% RH
Expected Lifetime	Years in normal operating conditions

PRODUCT INSTALLATION



- Ensure the application surface is not uneven and is clean and dry, to obtain maximum bond strength. If required, use approved cleaning solvents to clean surface.
- Avoid touching the backside of the label while mounting it

PERSONALIZATION OPTIONS

Pre-encoding

- Customer specific encoding of EPC

Customized Printing

- Customer specific layout including logo, text, numbers, barcodes etc.

ORDER INFORMATION

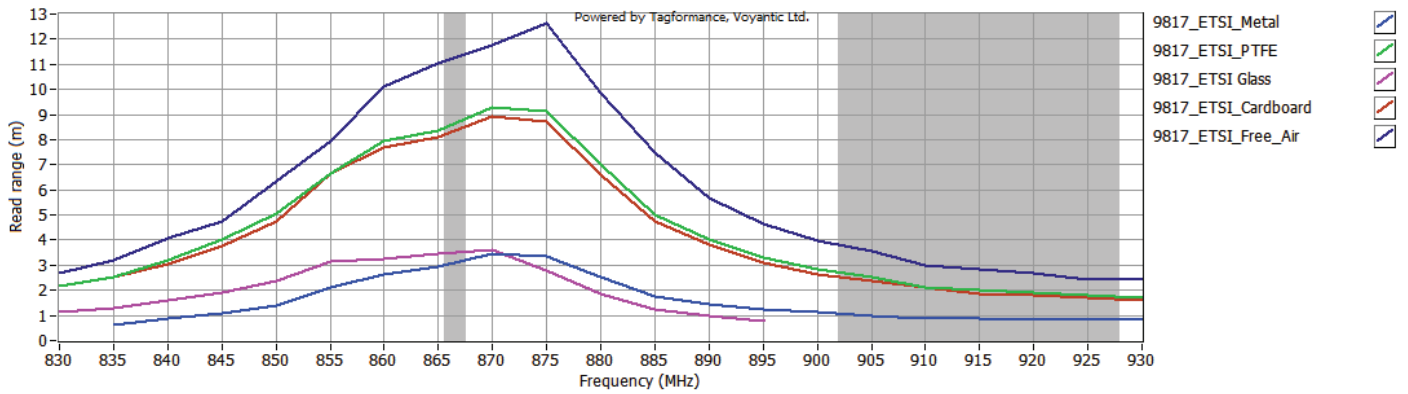
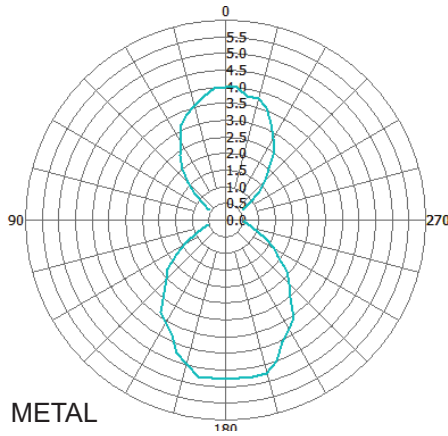
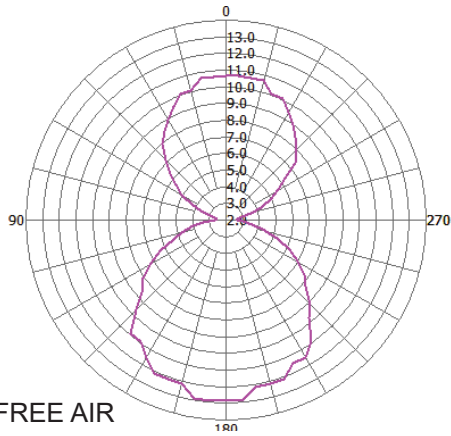
Part Number

- RF.LI.TT.MOM.9817.ETSI
- RF.LI.TT.MOM.9817.FCC

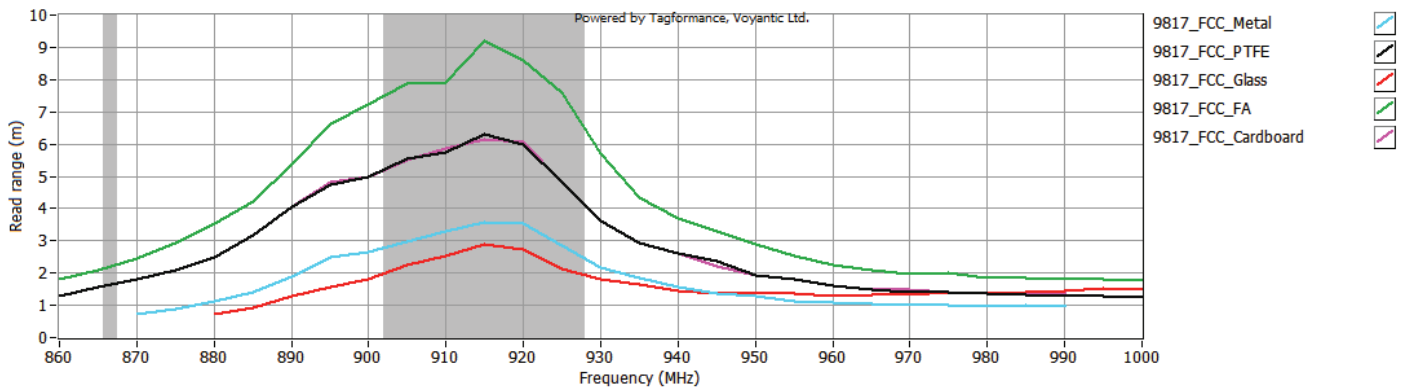
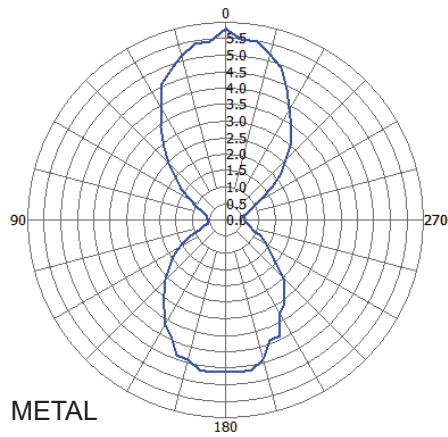
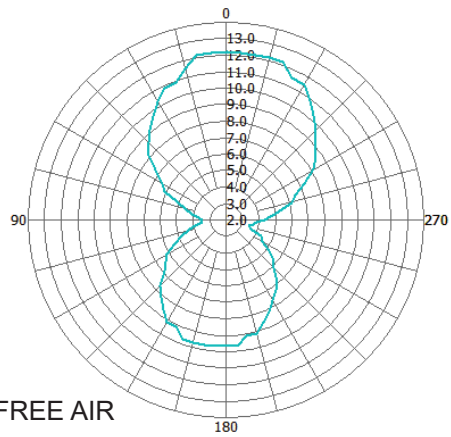
Roll Sizes

- std: 500 Labels per Roll / 4 Rolls per Carton
- mini: 125 Labels per Roll

RADIATION PATTERN & READ RANGE GRAPH (ETSI)



RADIATION PATTERN & READ RANGE GRAPH (FCC)



* Other IC's available on request

** The indicated read range values are measured in our laboratory testing environment, where antennas with optimum directivity are used with maximum allowed operating power. Different surface materials and environments may exhibit different results.



Version : 101121.01